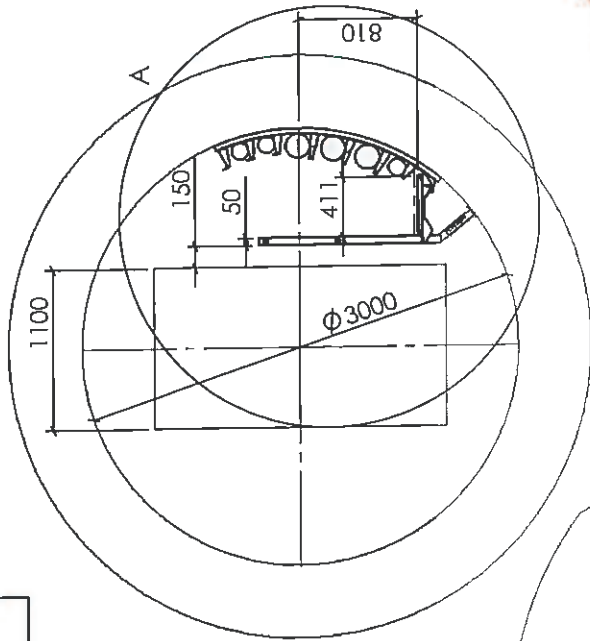
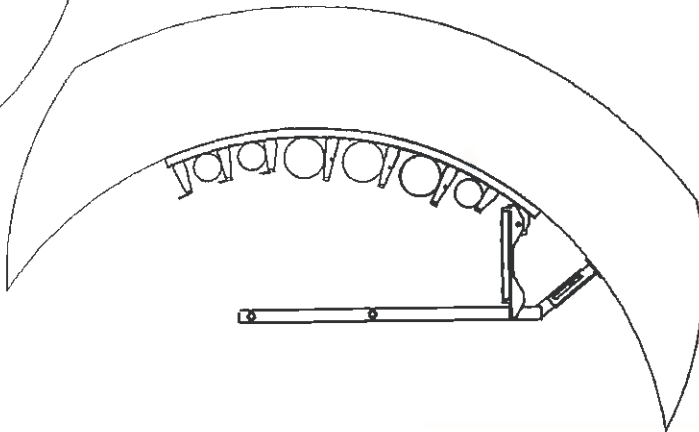
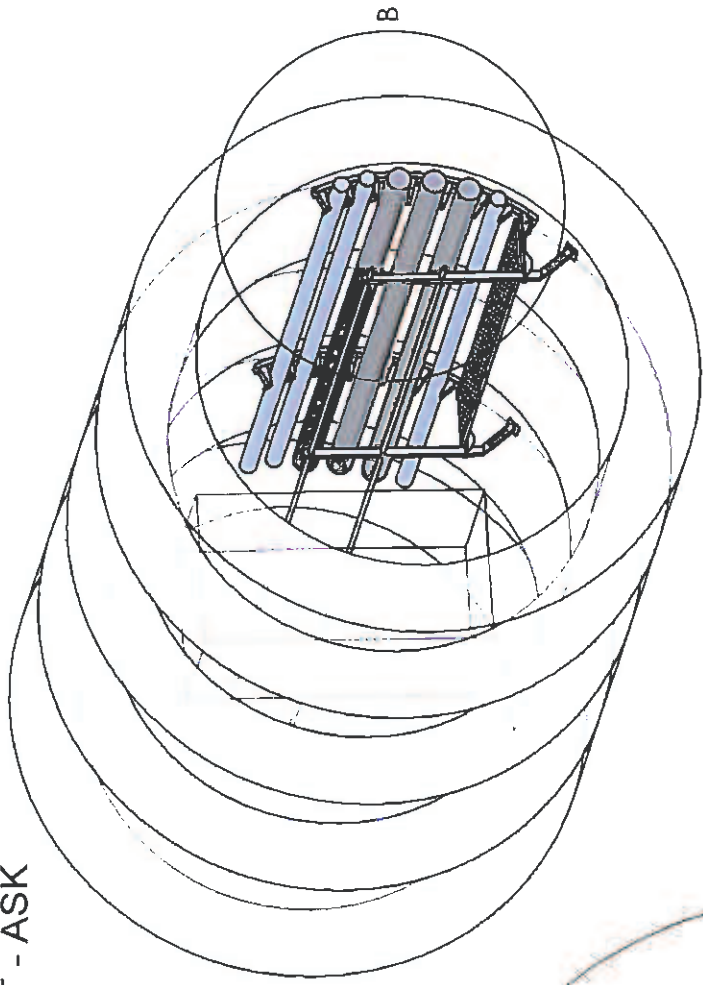


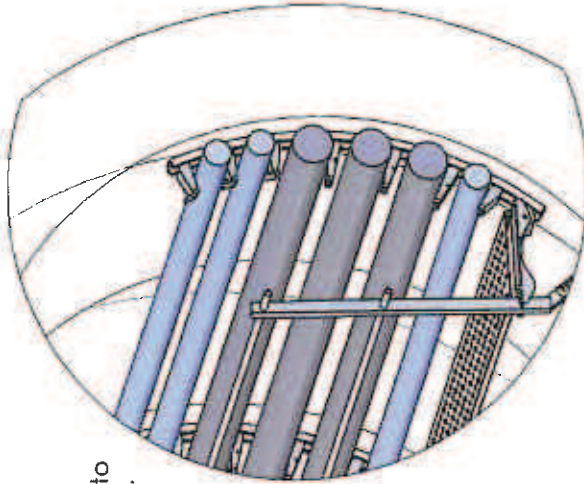
IF IN DOUBT - ASK



Note:  
Pipes can be arranged to suit clients requirements.



DETAIL A  
SCALE 1 : 30



DETAIL B  
SCALE 1 : 30

PROJECT: Chantier VL9 Lot 2  
Paris  
CLIENT: Vinci Construction

**SUPPLIER DOCUMENT REVIEW DECAL**  
 Permission to proceed will only constitute acceptance or approval of design details, calculations, analyses, test methods or materials developed or selected by the Contractor where the Contract so provides. In no event shall permission to proceed relieve the Contractor from full compliance with contractual obligations.

(1) WORK MAY PROCEED       (3) REVIEW NOT REQUIRED WORK MAY PROCEED  
 (2) REVISE AND RESUBMIT WORK MAY PROCEED SUBJECT TO INDICATION OF CHANGES INDICATED       (4) REVISE AND RESUBMIT WORK MAY NOT PROCEED

By \_\_\_\_\_ Date \_\_\_\_\_

AREA CODE	PG REF	COMMODITY REF.	DOC CODE	SEQ.	SHEET NO.	REV.

**Transforge (UK) Ltd**

Edmondthorpe Road, Wymondham, Leics LE14 2AD

**F**

RED - ORIGINAL  
BLACK - DUPLICATE COPY

P4	150mm Clearance	01.04.10			
P3	100mm Clearance	01.04.10			
P2	REVISED TO COMMENTS 23.02.10	24.02.10			
P1	PROVISIONAL ISSUE	21.02.10			
REV	DESCRIPTION	DATE			

Copyright - NOT TO BE REPRODUCED WITHOUT WRITTEN PERMISSION OF TRANSFORGE (UK) LTD  
 Title PIPE SUPPORT ASSEMBLY DRAWING  
 3m Ø TUNNEL

DRAWN	CHECKED	APPROVED	DATE	SCALE
PM			21.02.10	1:1.5
DRAWING No.			TF 9827	